

Cyan RGBCW Wall Switch

Single Pole Wall Switch Installation

Pairing with Light Fixture

For **3-Way** Installation Instructions, Please check page 2.

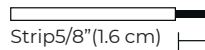
Before You Begin

To avoid fire, shock, or death, turn the power Off at circuit breaker and test to ensure the power is Off before wiring.



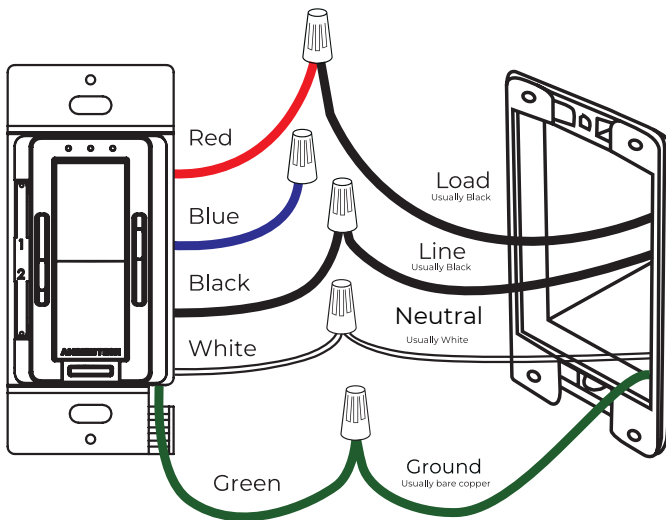
Step 1: Prepare Wall Box Wires

1. Make sure that the ends of the wires from the wall box are straight (cut if needed).
2. Strip the wire insulator for each wire inside the wall box as shown here:



Step 2: Wire Wall Switch

Connect wires according to the wiring diagram below:



Wiring Description (Using wire connectors)

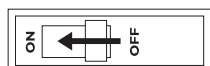
1. Connect the green (or bare copper) wire from the wall box to the green Cyan RGBCW Wall Switch wire.
2. Connect the Line/Hot wire to the Black Cyan RGBCW Wall Switch wire.
3. Connect the Load wire to the Red Cyan RGBCW Wall Switch wire.
4. Connect the Neutral wire to the White Cyan RGBCW Wall Switch wire.

Step 3: Mount the Wall Switch

Mount the Wall Switch into the wall box using the appropriate screws. Do not use a drill screwdriver.

Step 4: Restore Power

1. Turn the power On at the circuit breaker.
2. Turn on the Wall switch. Ensure that the LED indicator light is turning on and then off.



If you are installing more than one Wall Switch unit, all others must be switched Off while pairing.

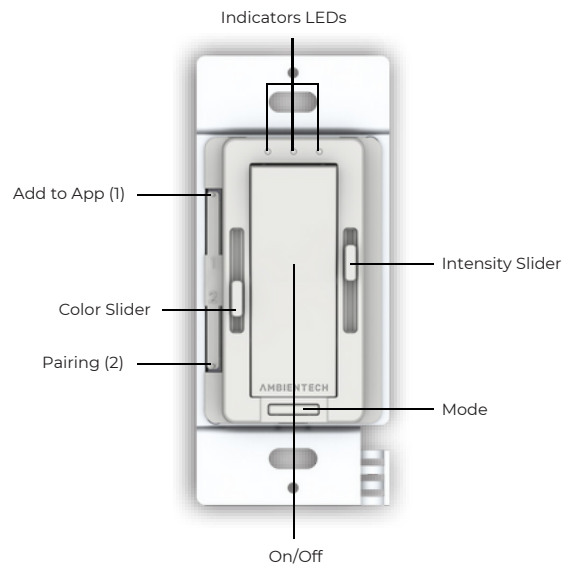
1. Make sure both sliders are set to the top and the Wall Switch is switched Off. Turn on the wall switch, and then proceed by short pressing the pairing button (2). The pairing process is considered complete when the Green LED indicator turns off, and the light fixture simultaneously turns on, confirming successful configuration.

2. In case you have a driver without a pairing button, skip to section 3.

In the case of lighting fixtures that have failed to pair, make a short press on the unpaired lighting fixtures Drivers. After the press, make sure that the lights from the unpaired lighting fixtures will appear and dissolve.

3. To verify a successful pairing, adjust the sliders and observe if the LEDs respond to the slider movements in synchronization.

4. In case of an incorrect pairing, a reset can be performed by pressing and holding both Function (1) and Pairing (2) buttons on the wall switch simultaneously. This should be done when the On/Off switch is in the Off position, and the red indicator LED will light up for 3 seconds.

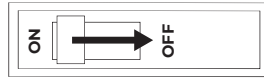


If the Device (Cyan Wall Switch) cannot be found, short press the "Add to App" (1) button. The blue LED indicator will blink, indicating that the Cyan Controller has been reset and is now ready to be added to the App.

3-Way Wall Switch Installation

Before You Begin

To avoid fire, shock, or death, turn the power Off at circuit breaker and test to ensure the power is Off before wiring.



Preparations

Installation begins by removing the wall plates and screws from both sides of the three-way switches. Carefully detach the switches from the wall, ensuring the wires stay connected. Securely hang the switches from the wires as you proceed with the installation. Before disconnecting any wires, identify and mark the wire that attached to the 'Common' terminal, which is in a uniquely colored screw.

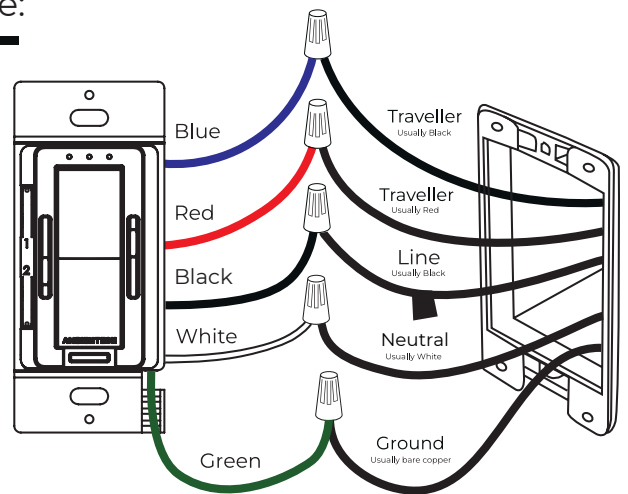
Find out if the wall box in which you want to install the dimmer is on the line side or the load side of the three-way.

For the **line side**, please read below.
 For the **load side**, please follow the load side instructions on the next page.

Cyan 3-Way Wall Switch Installation on **line** side:

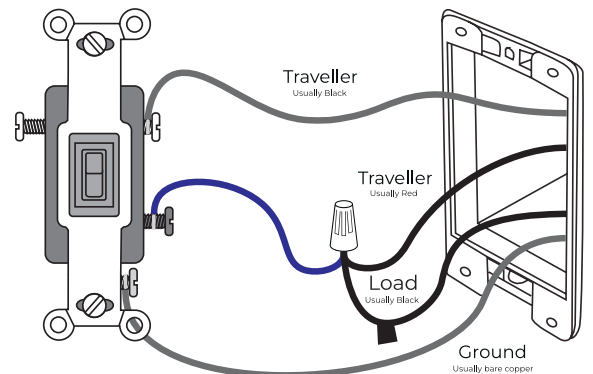
Line Side:

1. Take the ground wire of the existing switch, and connect it to the green wire of the dimmer.
2. Locate the Neutral wire inside the wall switch (this wire might not be used in the old installation.) and connect it to the white wire of the dimmer.
4. Connect the tape marked wire to the Black wire of the dimmer.
5. Connect one of the remaining wire to the Red wire of the dimmer.
6. Connect the last wire to the Blue wire of the dimmer.
7. Install the dimmer into the wall box.



Adjusting Wiring for the Other Switch:

1. Remove the labeled wire and one additional wire from the switch.
2. Connect these two wires using a jumper wire (pigtail).
3. Fasten the jumper wire (pigtail) onto the uniquely colored screw on the switch.
4. Securely reinstall the switch into the wall box.
5. Turn off and on both wall switches of the 3-Way. Ensure they are functioning correctly before pairing with the lighting fixtures.

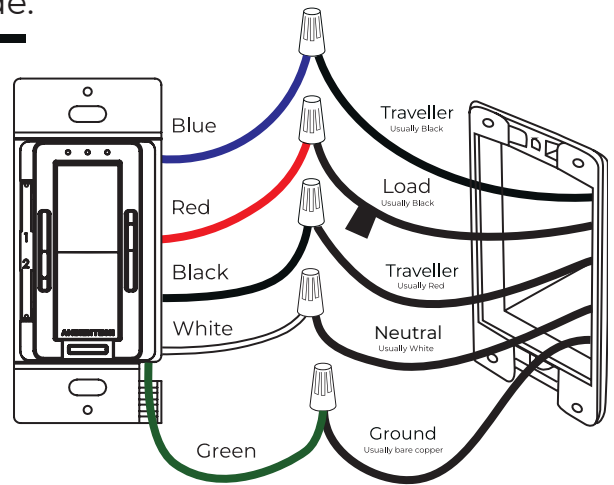


See **Pairing with light fixture** on page 3.

Cyan 3-Way Wall Switch Installation on **load** side:

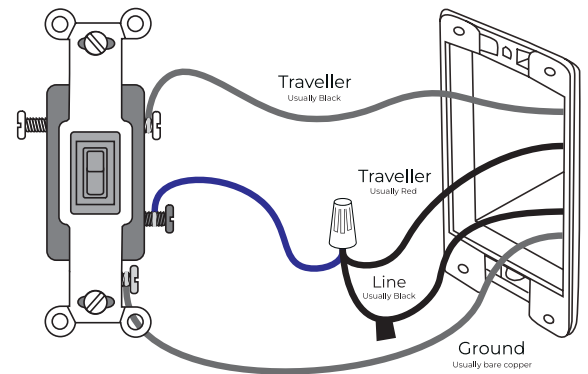
Load Side:

1. Take the ground wire of the existing switch, and connect it to the green wire of the dimmer.
2. Locate the Neutral wire inside the wall switch (this wire might not be used in the old installation.) and connect it to the white wire of the dimmer.
4. Connect the tape marked wire to the Red wire of the dimmer.
5. Connect one of the remaining wire to the Black wire of the dimmer.
6. Connect the last wire to the Blue wire of the dimmer.
7. Install the dimmer into the wall box.



Adjusting Wiring for the Other Switch:

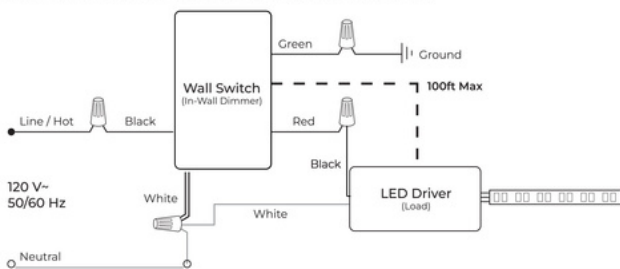
1. Remove the labeled wire and one additional wire from the switch.
2. Connect these two wires using a jumper wire (pigtail).
3. Fasten the jumper wire (pigtail) onto the uniquely colored screw on the switch.
4. Securely reinstall the switch into the wall box.
5. Turn off and on both wall switches of the 3-Way. Ensure they are functioning correctly before pairing with the lighting fixtures.



Wiring Diagrams Overview

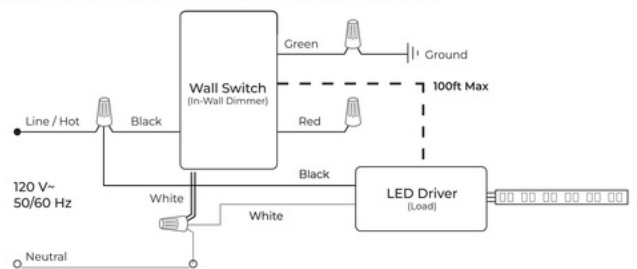
Wired Wall Switch Wiring Diagram

Connect wires according to the wiring diagram below.



Non-Wired Wall Switch Wiring Diagram

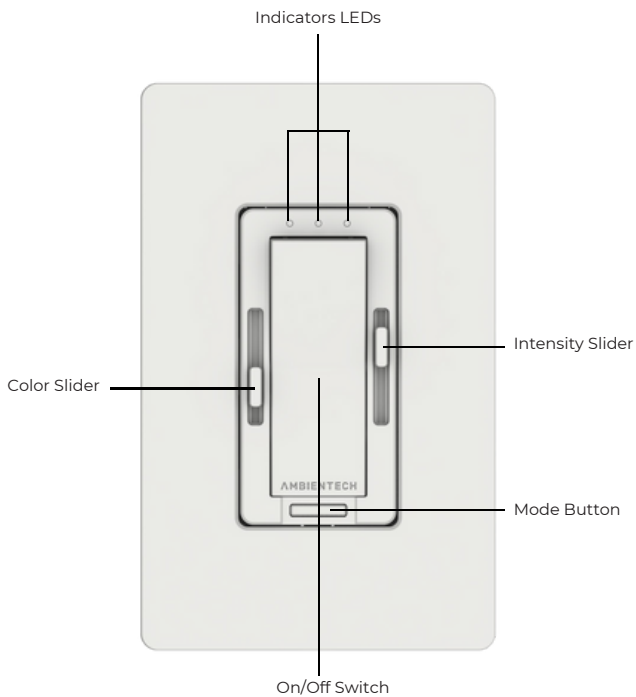
Connect wires according to the wiring diagram below.



Cyan RGBCW Wall Switch Wall Switch

User Guide

Operation Instructions



Intensity Slider - Adjuste the light intensity.

Color Slider - Change the light Color.

On/Off Switch - Controls the power state of the lights.

Mode Button - Sets a lighting Mode - Check "Mode Operation" for details.

You can also control the lighting using a smartphone application designed for both Android and iPhone devices and via voice control systems such as Amazon Alexa, Apple HomeKit, and Google Home.

Mode Operation

The Wall Switch offers support for three distinct Modes, each of which configures a specific light color and intensity setting. These modes are distinguished by the three LED Indicators at the top, with each mode having its unique LED Indicator color. To cycle through the Modes, press the Mode button, which will cycle through Green, Red, Blue, and then back to Green.

The three lighting modes and their LED Indicators:

- 1) TW Mode (Green LED Indicator)
- 2) RGB Mode (Red LED Indicator)
- 3) Pastel Mode (Blue LED Indicator)

To modify a light settings (optional):

- A. Select the mode you wish to adjust by pressing the Mode button.
- B. Adjust the intensity slider and color slider by moving the sliders to your desired levels.
- C. Perform a long press on the Mode Button until the corresponding indicator light stops blinking. This action sets a new light setting.

Application SetUp

Download the SmartAir App

Scan the QR code to download the App.

