

Cyan RGBCW Wall Switch

P/N: CYAN-RGBCW-SW-3

The Cyan Wall Switch uses a standard end-to-end wiring configuration that eliminates the need for extra wires and resolves compatibility concerns.

This device offers a wide range of features, including over 16 million colors, adjustable white light, and the ability to be controlled through voice commands and or App.

IT'S AS SIMPLE AS THAT.



Up to
700W



Multi Gang 3way



Wire Free
Unlimited Load
Capacity

Features & Benefits

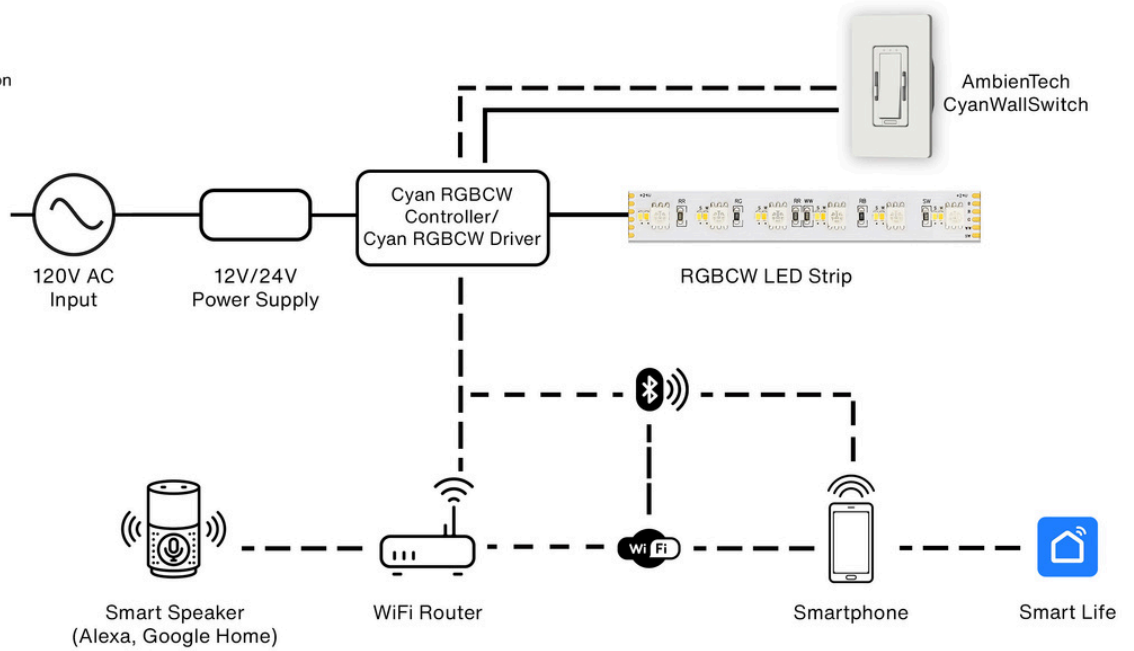
- RGB and Tunable White Control
- SmartAir - App / Voice Control
- 3-Way (Optional)
- Dim-to-Off
- Flicker-Free Soft Dimming - Down to 0.1%
- 120VAC Wall Switch with No Battery Required
- UL Listed
- A Single Wall Switch Can Control Multiple LED Controllers
- Simple Installation - no Extra Wiring
- Fits US Standard Multi Gang Box
- Compatible with any Decora Wall Plate
- Complies to IEEE and Title 24 Flicker Requirements
- Classic Design to Match Existing Style Switches
- Fast Delivery – Shipping out of NY



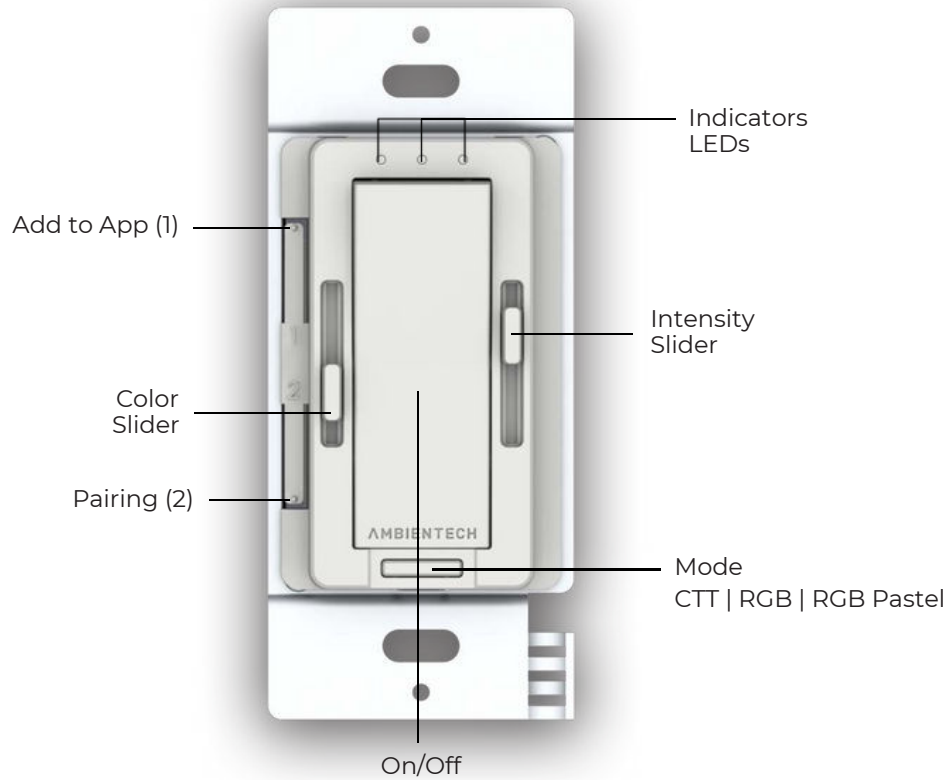
Wall Plate not included

System Setup

— Wired Connection
 - - - Wireless Connection



User Interface



Electrical Specification

Power & Ratings

Input	120 VAC ~ 50/60Hz
Max Load Hardwired	700W
Max Load Nonwired	Unlimited

Compliance

UL Listed	UL1472 / CSA C22.2 184.1
FCC	Class B Part 15

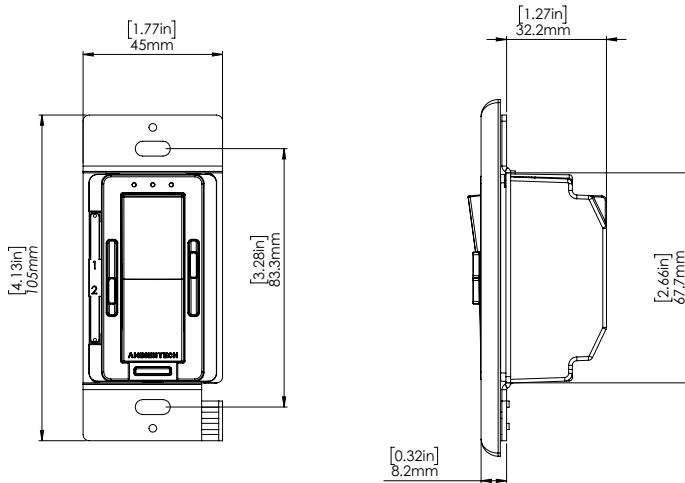
Environmental

Ambient Operating Temp	-30 °C - + 40 °C / -86°F - + 104°F
------------------------	------------------------------------

Dimming Performance

Control Protocol	RF / WIFI
Dimming Range	0.1 - 100%
Dim to Off	Yes
Dimming Method	PWM (2400Hz)

Mechanical Specification



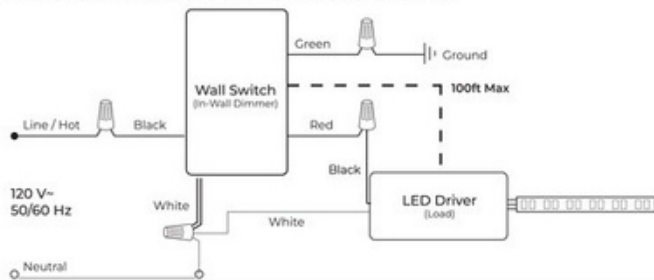
Note: Requires a U.S. wallbox 2in (64 mm) deep minimum.

Material	PC/ABS - 5VA Rating
Finish	White Glossy (Default)

Wiring Diagrams Overview

Wired Wall Switch Wiring Diagram

Connect wires according to the wiring diagram below.



Non-Wired Wall Switch Wiring Diagram

Connect wires according to the wiring diagram below.

