

## Cyan RGBCW Wall Switch

P/N: TECH-WSW-SA

The Cyan Wall Switch uses a standard end-to-end wiring configuration that eliminates the need for extra wires and resolves compatibility concerns.

This device offers a wide range of features, including over 16 million colors, adjustable white light, and the ability to be controlled through voice commands and or App.



### IT'S AS SIMPLE AS THAT.



Automatic  
Pairing by Turning  
On the Switch



Up to  
700W



Multi Gang 3way



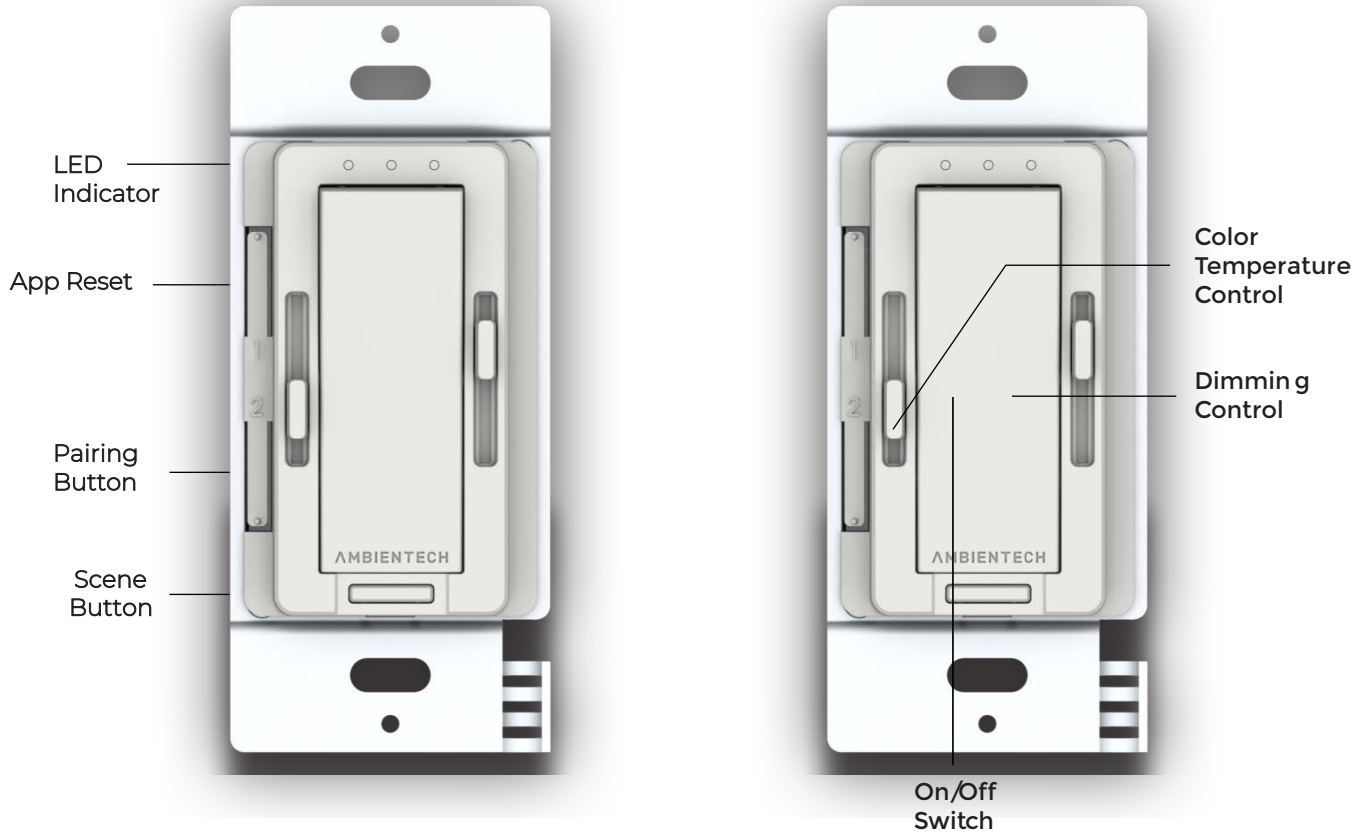
Wire Free Unlimited  
Load Capacity

## Features & Benefit

- RGB and Tunable White Control
- SmartAir - App / Voice Control
- 3 Way
- Dim-to-Off
- Flicker-Free Soft Dimming - Down to 0.1%
- 120VAC Wall Switch with No Battery Required
- UL Listed
- A Single Wall Switch Can Control Multiple LED Drivers
- Simple Installation - no Extra Wiring
- Fits US Standard Multi Gang Box
- Complies to IEEE and Title 24 Flicker Requirements
- No Compatibility Issues
- Classic Design to Match Existing Style Switches
- Fast Delivery – Shipping out of NY



## User Interface



### Power & Ratings

Input	120 VAC ~ 50/60Hz
Max Load Hardwired	700W
Max Load Nonwired	Unlimited

### Compliance

UL Listed	UL1472 / CSA C22.2 184.1
FCC	Class B Part 15

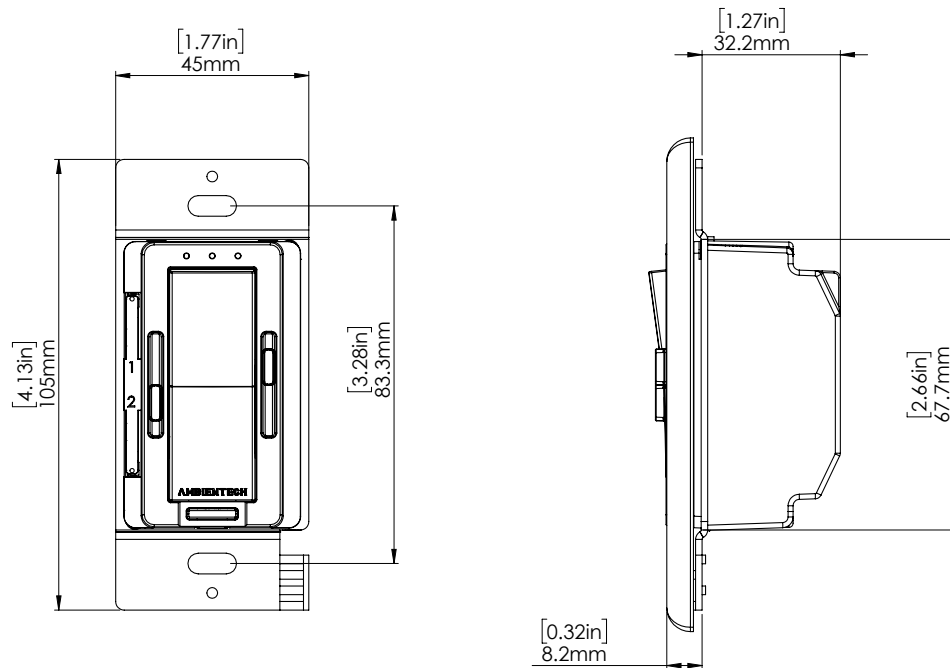
### Environmental

Ambient Operating Temp	-30 °C - + 40 °C / -86°F - + 104°F
------------------------	------------------------------------

### Dimming Performance

Control Protocol	RF / WIFI
Dimming Range	0.1 - 100%
Dim to Off	Yes
Dimming Method	PWM (2400Hz)

## Mechanical Specification



Note: Requires a U.S. wallbox 2in (64 mm) deep minimum.

Material	PC/ABS - 5VA Rating
Finish	White Glossy (Default)