




Quick Specs	
Input / Output Voltage	12 / 24VDC
Max Power	12V (5A) / 24V (4A)
Ambient Temp	-30°C - + 40°C / -86°F - + 104°F
Environment	Dry and Damp Location

Customer Assistance

For technical questions regarding the installation or operation of this product, please contact our customer support team :

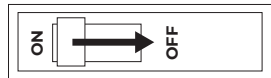
 **347-334-6368 ext 3**

 **www.ambientechinc.com**

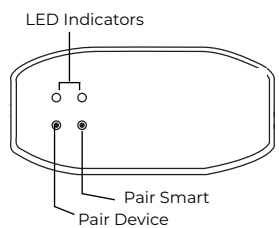


Before You Begin

To avoid fire, shock, or death, turn the power off at circuit breaker and test to ensure the power is off before wiring.



SleekTone Interface



Select Dimming Mode

Long press on the "S" Button

Mode	S Green LED
Tunable White	● (Default)
Dim-to-Warm	●●
Dimming	●●●

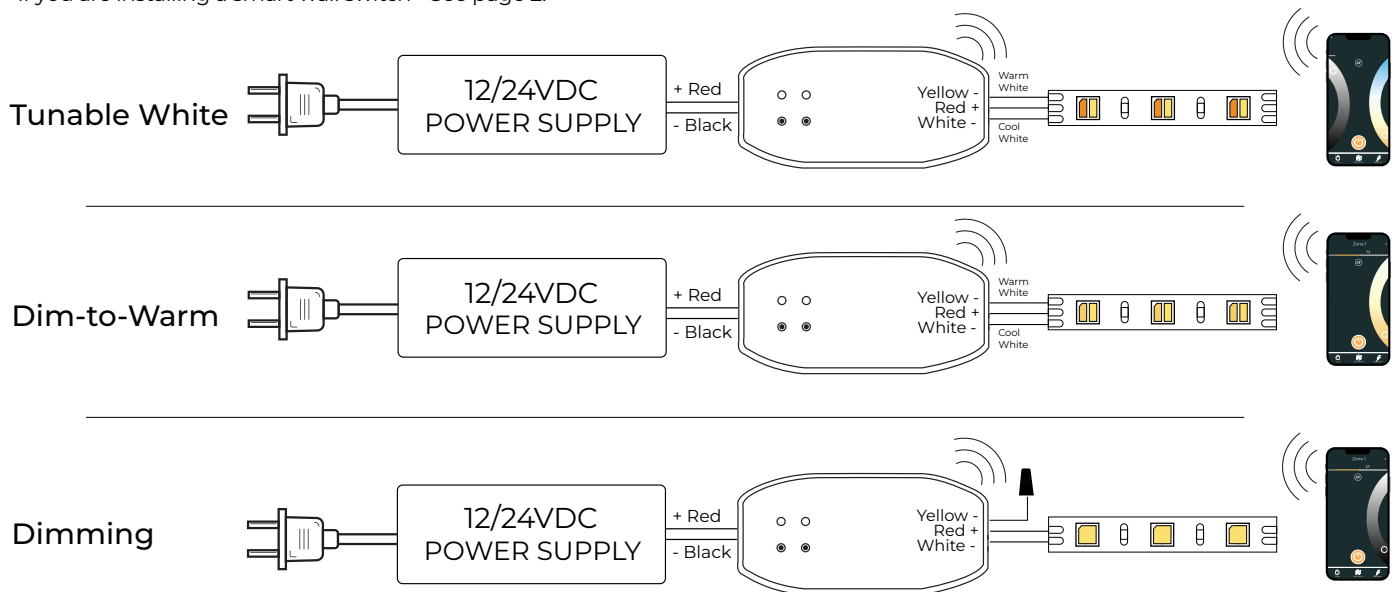
Connect to the SmartAir App

- Scan the QR code to download the app. Follow the instructions to connect to the SmartAir App
- Press the "S" button to reset device manually.



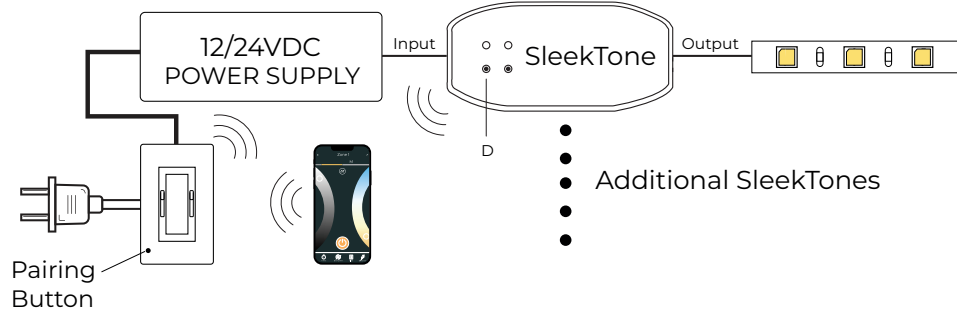
Wiring Diagram

*If you are installing a smart wall switch - See page 2.



Pairing With A Smart Dimmer

Wiring Option 1 Electrical Connection



If you are installing more than one Wall Switch unit, all others must be switched Off while pairing.

1. Make sure both sliders are set to the top and the Wall Switch is switched Off.
2. Switch the power ON at the circuit breaker, the green LED Indicator will light up.
3. Turn ON the Wall Switch, the green LED Indicator will blink while pairing.
5. After up to 15 seconds, your LED fixture will be paired with the Wall Switch.

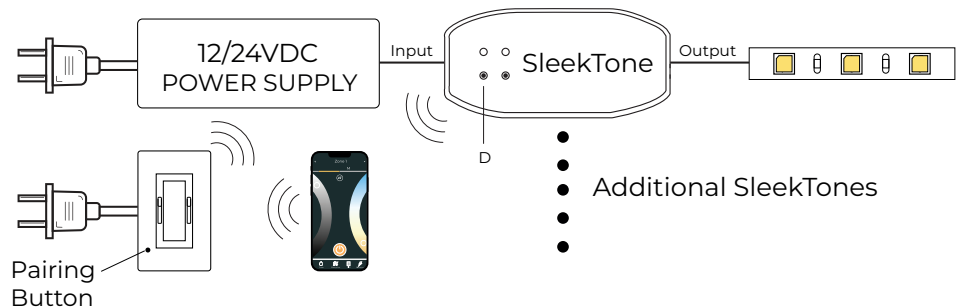
6. To verify pairing is successful, move the sliders and ensure that the LEDs respond accordingly.

7. Scan the QR code to download the app. Follow the instructions to connect to the SmartAir App.

* If Pairing is not successful press the pairing button.



Wiring Option 2 Stand-alone Dimmer



If you are installing more than one Wall Switch unit, all others must be switched Off while pairing.

1. Make sure both sliders are set to the top and the Wall Switch is switched Off.
2. Switch the power ON at the circuit breaker, the green LED Indicator will light up.
3. Press the Pair Device Button "D" on the SleekTone CV
4. Turn ON the Wall Switch and press the reset button.
5. The green LED Indicator will blink while pairing.

6. After up to 15 seconds, your LED fixture will be paired with the Wall Switch.

7. To verify pairing is successful, move the sliders and ensure that the LEDs respond accordingly.

8. Scan the QR code to download the app. Follow the instructions to connect to the SmartAir App.

* If Pairing is not successful please repeat the pairing process.

