



P/N: ZEROX2-NSW-yy

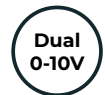
ZeroX2-Tone

Smart Dual Channel 0-10V Wall Switch for Tunable White & Dimming Control

ZeroX2-Tone is a dual slider wall switch with two 0-10V control channels for Tunable White and Dimming control. It is compatible with two channel LED Drivers and controllers, eliminating the need of two separated dimmers reducing cost and installation time. The ZeroX2-Tone offers an adjustable on field low-end trim as well as a adjustable Color Mixing Curves for optimal performance. With its complete solution approach, it delivers a familiar user experience and precise performance. The ZeroX2-Tone is UL approved under 1472 standard. With a built-in relay, it requires no additional safety devices.



IT'S AS SIMPLE AS THAT.



Tunable White & Dimming



Up to 700W



Wallplate Included in the Package



Standard Installation



Features & Benefits

- Dual Channel 0-10V in One Switch for Tunable White and Dimming Control
- Eliminating the Need of two Separated Dimmers
- SmartAir- App / Voice Control
- Compatible with two Channel LED Drivers and Controllers
- Adjustable on-field Low and High End Trim for Optimal Dimming Performance
- Adjustable on-field Low and High End Trim for Optimal Color Mixing Performance
- UL Approved Under 1472 Standard
- Classic Design to Match Existing Style Switches
- Built-In Relay
- Fast Delivery – Shipping out of NY

P/N: ZeroX2NS W yy
 Model Color *Smart

*For Smart Type "SA" if not leave blank

Colors



W
White



G
Grey



O
Ivory



B
Black



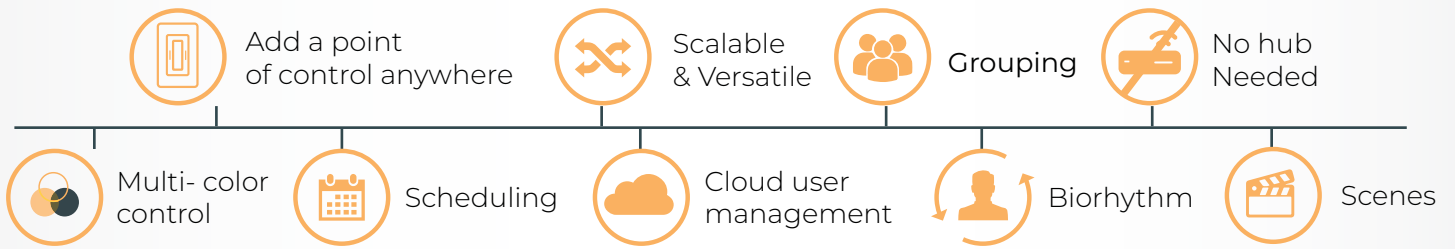
C
Almond



H
Hot

SYSTEM

FUNCTIONALITY



SMART HOME

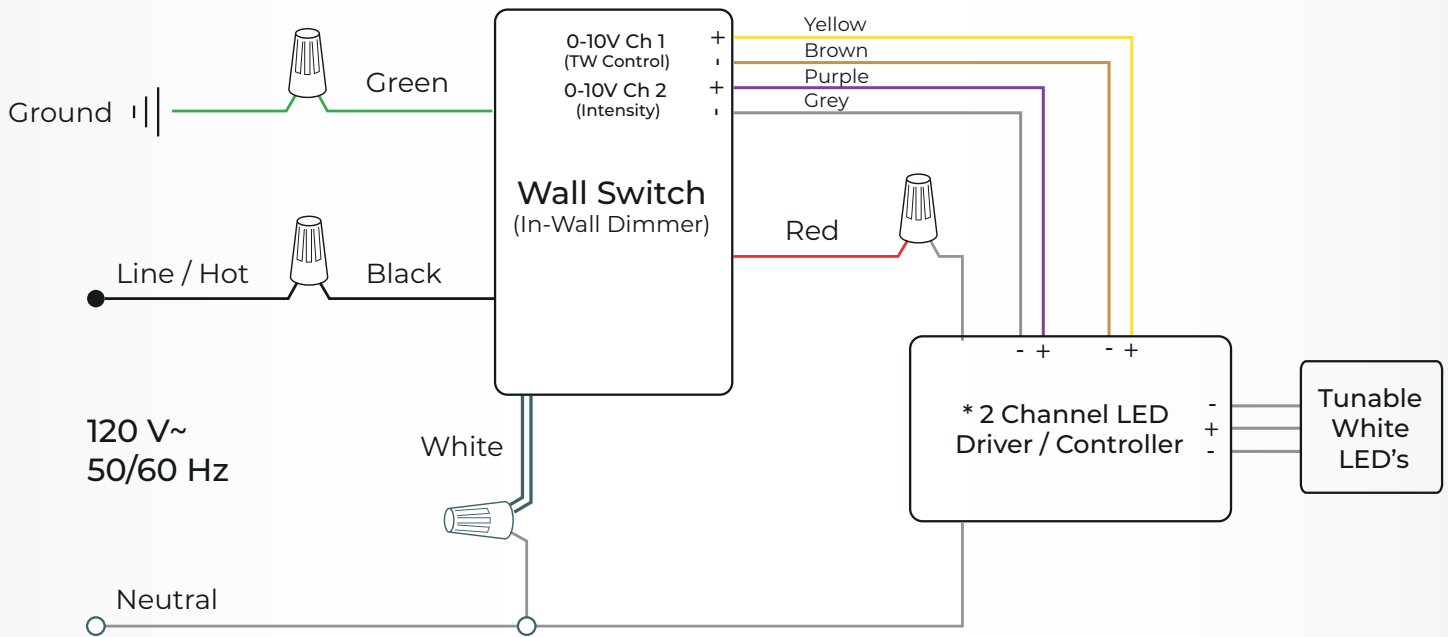
INTEGRATION



Download the SmartAir App

WIRING

OVERVIEW



Electrical Specifications

Power & Ratings

Input	120VAC ~ 60Hz
Max Load	700W

Compliance

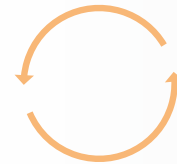
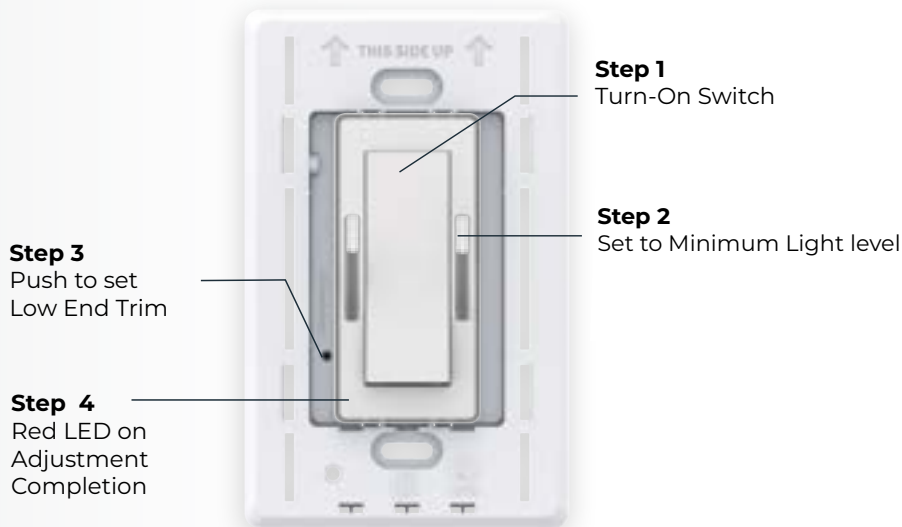
UL Listed	UL1472 / CSA C22.2 184.1
FCC	Class B Part 15

DIMMING

CHARACTERISTICS

Control Protocol	0-10V
0-10V Range	0-11V
Control Channels	2
Control Type	Source / Sync
Dimming Curve	Yes
Color Mixing Curve	Yes

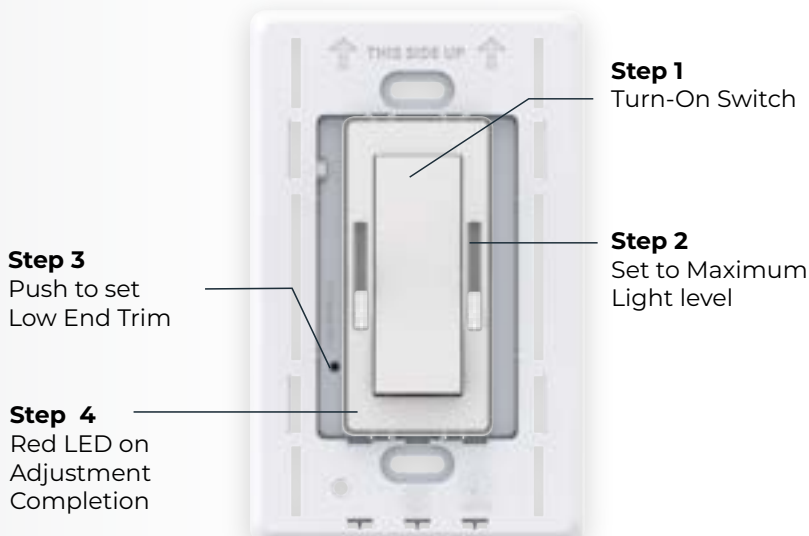
Low End Trim Adjustment



To switch between Dimming curve and Color Mixing Curve.

- Turn off the switch
- push the reset button.
- Turn the switch back on and follow the steps.

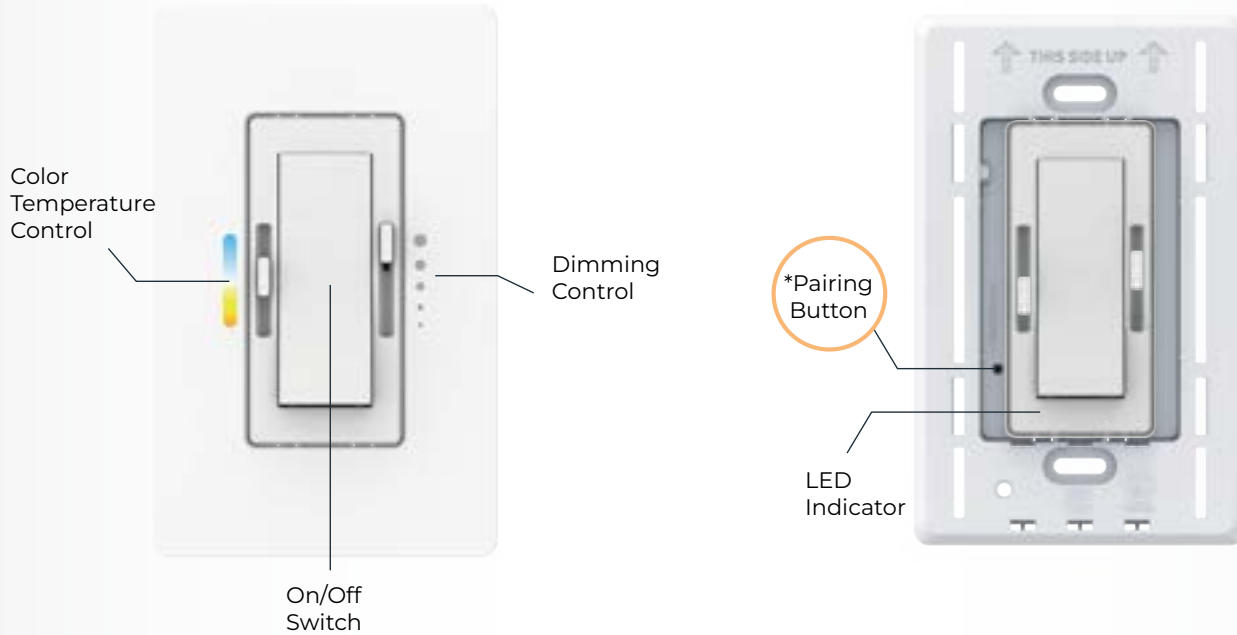
High End Trim Adjustment



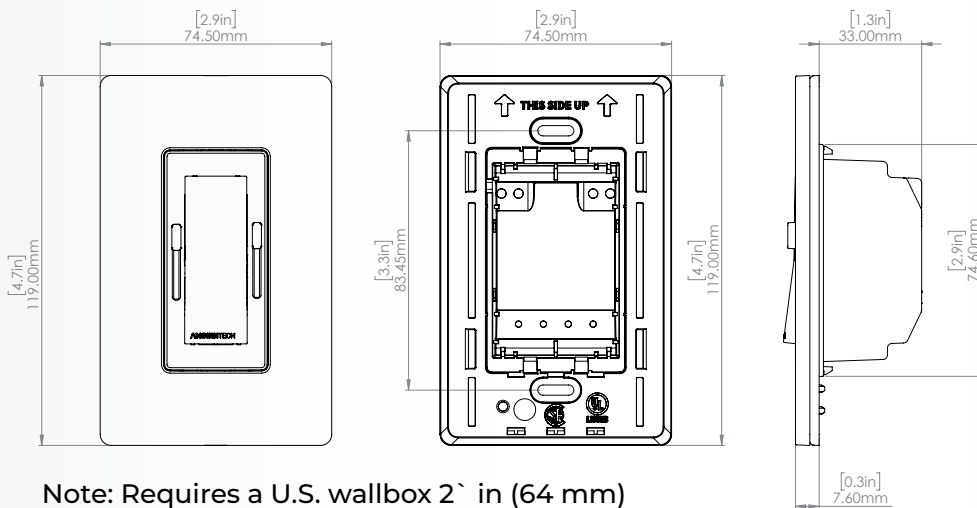
USER

INTERFACE

Wall Plate Included



Mechanical Specifications



Note: Requires a U.S. wallbox 2` in (64 mm) deep minimum.

Material	PC/ABS - 5VA Rating
Finish	White Glossy (Default)

Specification Submittal

Project Name:	Company Name:
Project Number:	Contact Name:
Part Number:	Email:



WWW.AMBIENTECHINC.COM

Brooklyn Navy Yard
63 Flushing Avenue
Brooklyn, NY 11205

P: 347-334-6368
E: Sales@ambientechinc.com