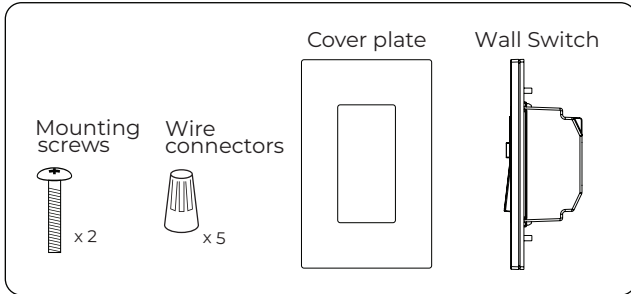




## Item Identification



## Quick Specs

Input	120VAC ~ 60Hz
Max Load	700W
Load Type	Tunable White LED's

## Important Notes

### Please Read Before Installation!

Neutral Wire required. If you don't have Neutral wire in the wallbox, please consult an electrician.

The system is to be installed in accordance with the National Electrical Code or local code.

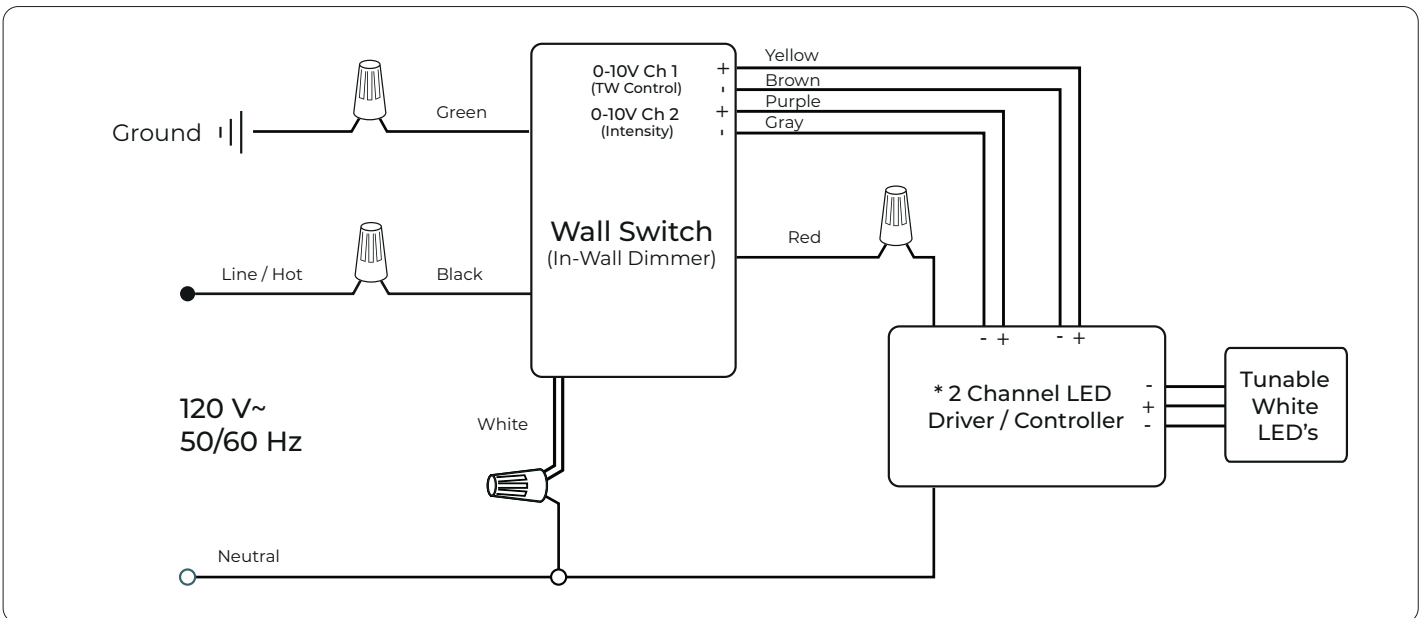
The system is to be installed and serviced by a qualified, licensed electrician.

Wall switch must be grounded in accordance with the NEC or local codes.

## Tools Needed



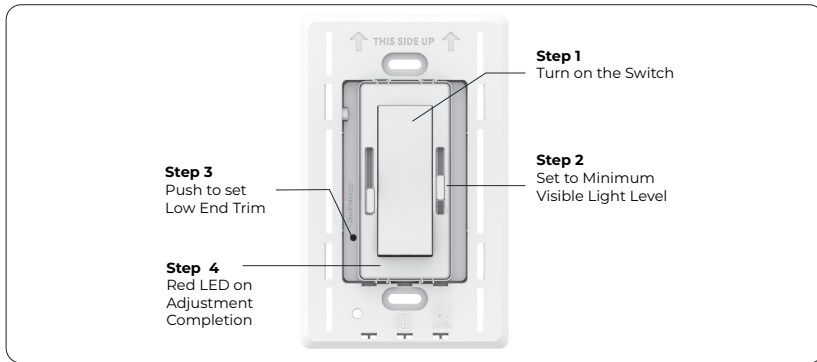
## Overview of System Wiring



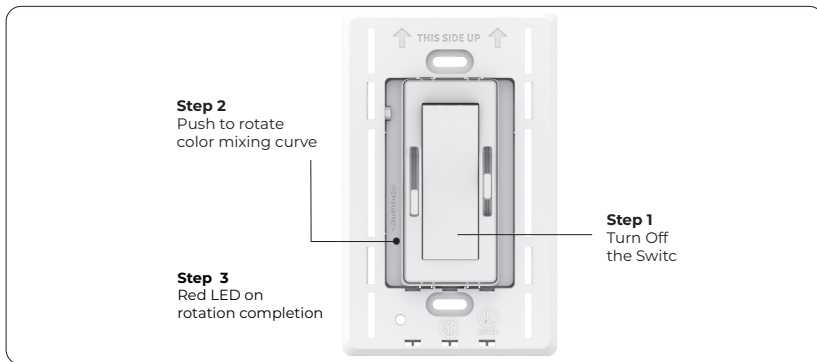
## \*Tested LED Drivers / Controllers

Manufacturer	Part Number	Recommend LED Driver Dimming Curve	Recommended Mixing Curve
eldoLED	DUALdrive 561s	Linear Dimming Curve	Default
Moons'	0-10V Dual Series	Linear Dimming Curve	Default
GREAlpha	SLD-DimTW2	N/A	Curve 2
ACElectronics	ACD25CD700A4Y	N/A	Curve 3

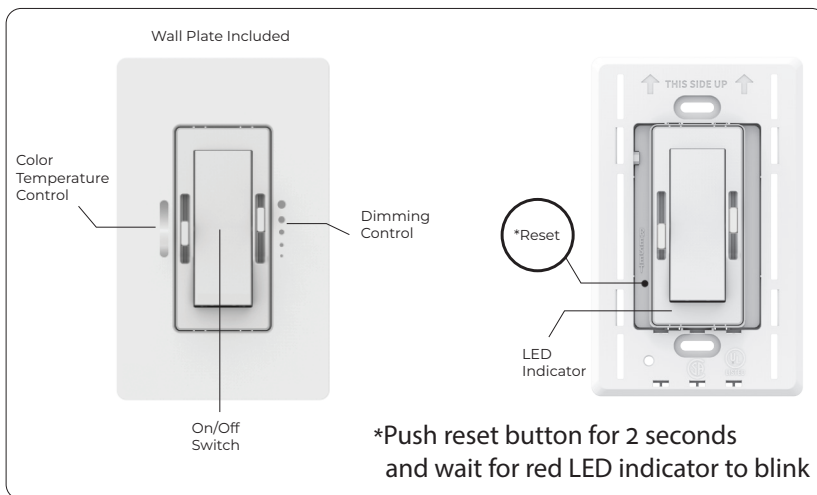
## Low End Trim Adjustment



## Adjustable Color Mixing Curves



## User Interface



## Customer Assistance

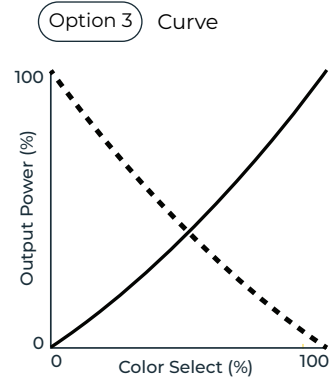
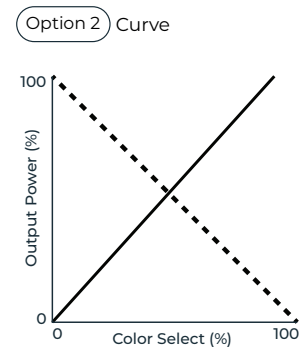
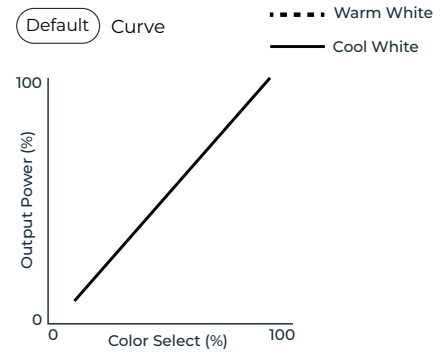
For technical questions regarding the installation or operation of this product, please contact our customer support team :

347-334-6368 ext 3

[www.ambientechinc.com](http://www.ambientechinc.com)



## Color Mixing Curves



## Caution

To Reduce the Risk of Overheating And Possible Damage To Other Equipment, Do Not Install To Control A Receptacle, A Motor-Operated Appliance, Or A Transformer-Supplied Appliance.

## FCC/IC Information

This device complies with part 15 of the FCC Rules.

Operation is subject to the following two conditions:

- 1.This device may not cause harmful interference
2. this device must accept any interference received, including interference that may cause undesired operation.