



RF Dimmable LED Driver

Controlled by our DimTech Wall Switch through a wireless signal, this system entails zero compatibility issues and unbeatable dimming performance. This LED Driver provides smooth, flicker-free dimming down to 0.1% before total darkness. It is available in both 12VDC and 24VDC output.

The DriveTech is a UL listed Class 2 Driver that includes an integrated junction box with a separate input and output wiring compartment each with three 7/8" knockouts for easy and safe installation.



Dimmable
0%-100%



RF CONTROL



Class 2

24VDC

12VDC

ENCLOSURE DETAILS

Dimensions	8.4"(213mm) x 4.1"(104mm) x 1.5"(38mm)
Material	Sheet Metal
Finish	Matte Powder Coat
Environmental	Indoor Use

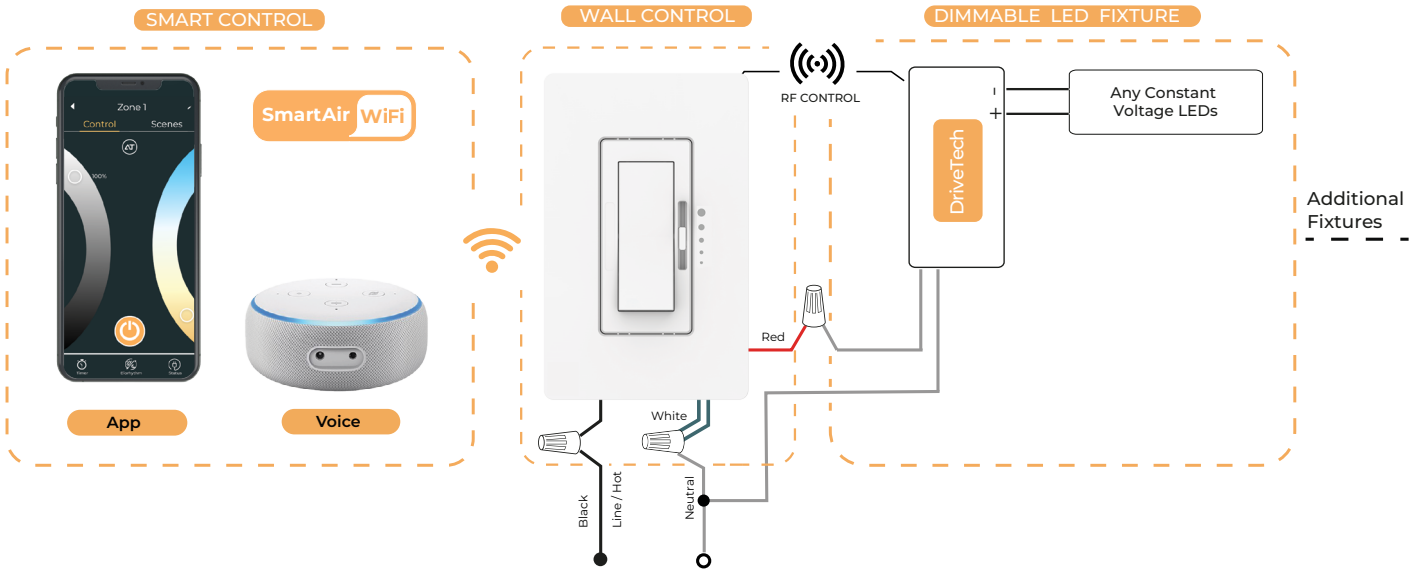


Features & Benefits

- Same Wire Set as a Standard LED Driver
- Complies to IEEE and Title 24 Flicker Requirements
- Superior Dimming- Flicker Free to 0.1%
- UL Listed Class 2
- Current Limit Overload Protection
- Can Be Loaded to Max Power with no Derating Needed
- No Minimum Load Requirement
- Wiring Compartments With Knock-Outs for Safe and Easy Installation



Wiring Overview



Wall Switch Control Options

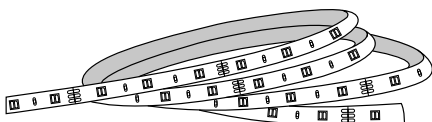


DimTech

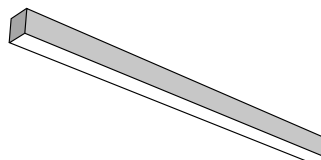
Compatible LEDs

The DimTech system is compatible with any 12/24VDC LED fixture.

LED Strip



Linear



Downlight





Electrical Specifications

	MODEL	DD-24V-90W-N	DD-24V-60W-N	DD-12V-60W-N
Output	Max Power	90W	60W	60W
	Rated Current	3.75A	2.5A	5A
	Rated Voltage	24VDC		12VDC
	No Load Voltage (No Load)	25.2VDC		13.5VDC
	Voltage Ripple & Noise (Max)	300mV (Vp-p)		
Input	Input Voltage	120VAC +/- 10%		
	Input Frequency	60Hz		
	Power Factor	PF>0.96		
	Efficiency (Max Load)	89%	87%	89%
Protection	Over Current	CC Mode		
	Short Circuit	Hiccup mode, auto-recovery after short circuit removed		
	Overload Protection	90 °C Max - auto recovery		
Environmental	Ambient Operating Temp	-30 °C - + 40 °C / -86 °F - + 104 °F		
	IP Rating	23		

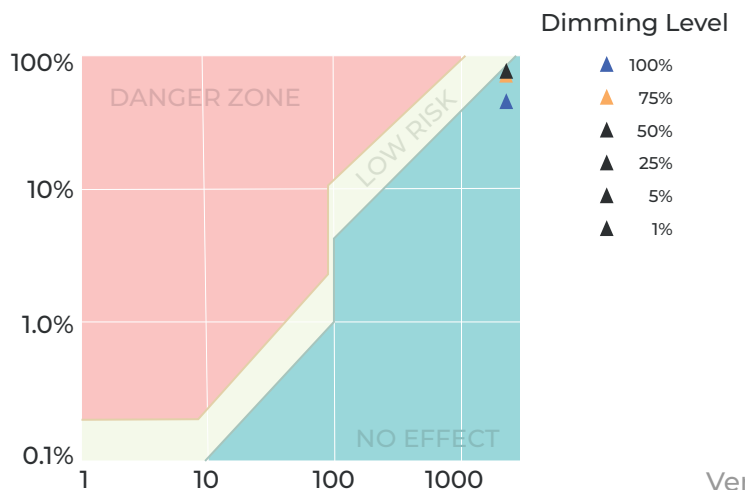
Dimming Performance

Control Protocol	RF (auto pairing)
Dimming Range	100% -0.1%
Dim-to-Off	Yes
Dimming Method	PWM (2400Hz)
Dimming Curve	Logarithmic (Default)

Flicker Performance Graph

As defined in IEEE P1789, the results are presented with the low-risk in yellow and no observable effect in green.

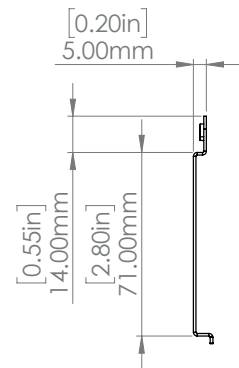
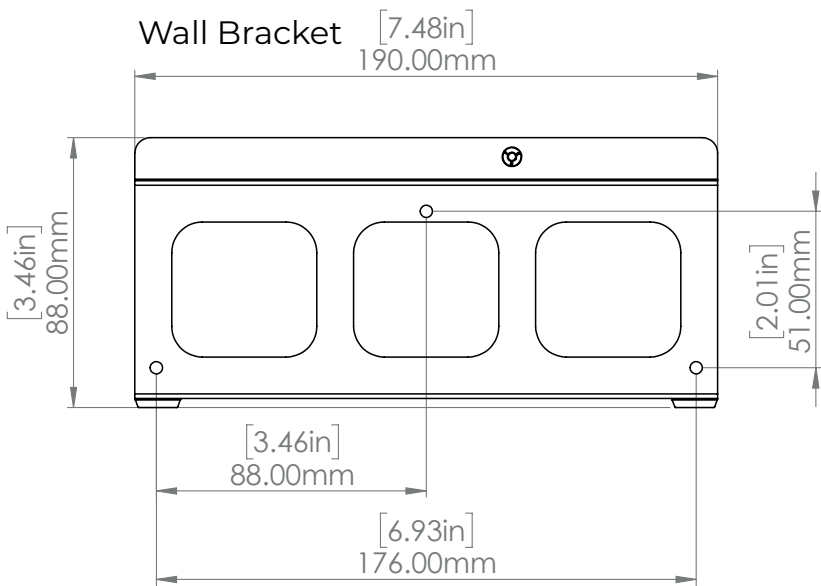
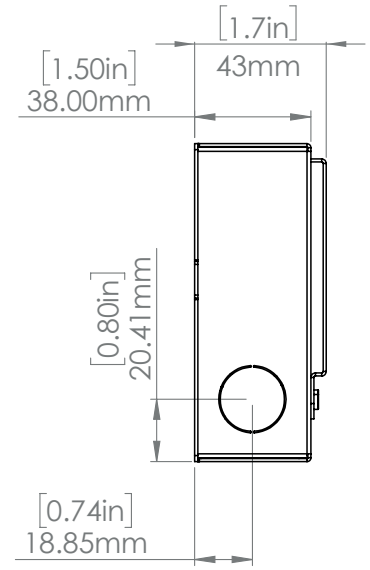
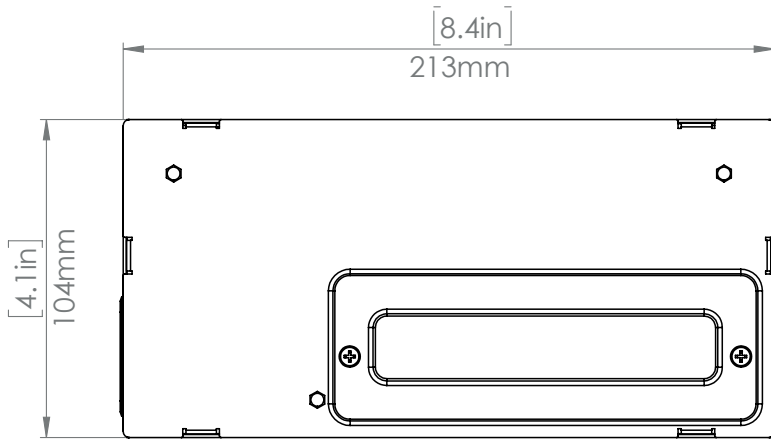
Complies to Title 24 Flicker Requirements.



Ver 2.7



Mechanical Specifications





WWW.AMBIENTECHINC.COM

Brooklyn Navy Yard
63 Flushing Avenue
Brooklyn, NY 11205

P: 347-334-6368
E: Sales@ambientechinc.com